



Main Features

- 1/2.8" 2.16MP SONY STARVIS CMOS
- 100 dB Double Shutter WDR
- Auto Defog, HLC, Privacy mask, motion detection, 32X Sense up
- HDCVI/HDTVI/AHD(output Selectable from OSD Switch) & CVBS output simultaneously
- Multi Languages OSD Control from Recorder
- Built-in Mic(Optional)
- DC12V

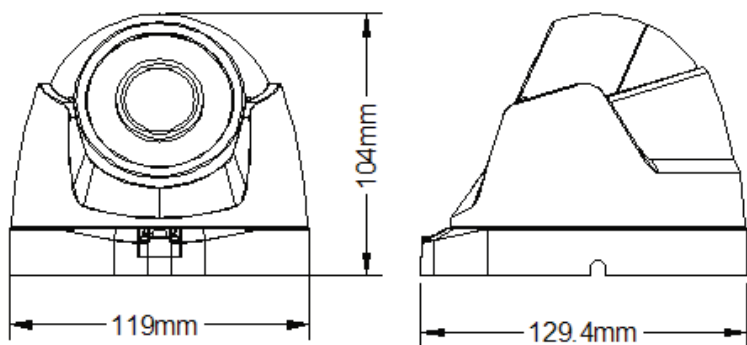


Technical Specifications

Image Sensor	1/2.8" 2.16MP SONY STARVIS CMOS
Effective Pixels	1945(H) × 1097 (V)
Resolution	Digital: 1920×1080p(1080p/30fps) Analog: 700TVL
S/N Ratio	≥50dB (AGC Off)
Min. Illumination	COLOR : 0.00 1Lux@(F2.0 , AGC ON) B&W : 0.0001Lux@(F2.0 , AGC ON)
Scanning System	Progressive
Video Output	Digital: HD-CVI (TVI AHD)(1080P 、 720P) Analog: 1Vp-p Composite Output (75Ω/BNC)
Day&Night	EXTERN,COLOR, B&W,AUTO
White Balance	Auto
OSD	English / Chinese
Defog	OFF/ON
WDR	OFF/LOW/MIDDLE/HIGH
Privacy Mask	ON/OFF (16 Areas)
Motion Detection	ON/OFF (4 Areas)
IR LED	3pcs IR Array



Lens	2.8-12mm Auto Focus
IR Range	40m
Power Supply	DC12V±10%
Power Consumption	< 5W
Weight	510g
IP Rating	IP66
Storage Temperature	-.20 °C~60 °C
Working Temperature/Humidity	-10 °C ~60 °C , Humidity 90% or less (non-condensing)



Recommended Use

- Commonly used for short range distance in Outdoor and Indoor environments.
- Low height Mounting

IP 66

Totally protected against dust and water projected in powerful jets (12.5mm nozzle) against the enclosure from any direction shall have no harmful effects.



* These technical specifications are subject to change without prior notice. If you have any specific questions please contact us in advance of installation at 1.866.989.4082 extension #2 or ask for technical support.



GESS®
TECHNOLOGIES

All trademarks and registered trademarks are the property of their respective owners. GESS Technologies is a registered trademark of Global Engineering Security Systems.

